

ELECTROPOMPE CENTRIFUGE MULTIETAJATE VERTICALE din fonta



Aplicatii:

- cresterea presiunii;
- irigatii;
- statii de spalare;
- pomparea apei curate.

Detalii tehnice:

- fiabile;
- silentioase;
- mentenanta usoara;
- electropompe dotate cu contr-flanse;

Date tehnice ale pompei:

- presiunea maxima de operare: 11 bari;
- temperatura maxima a lichidului: 40 °C;
- conexiuni de aspiratie si refulare: G1 ¼;
- MEI > 0.4;

Pentru informatii suplimentare va rugam consultati Datele tehnice ale acestei pompe aflate pe site-ul www.ebaraurope.com .

Date tehnice ale motorului:

- motoare IE2 si IE3 ,eficiente energetic, cu puteri incepand de la 0.75 kW;
- motor asincron cu 2 poli, dotat cu sistem de auto-ventilatie;
- clasa de izolatie F;
- protectie IP44;
- motor monofazat: 230V ±10% 50Hz;
- motor trifazat: 230/400V ±10% 50Hz;
- condensator inserat si protectie termo-amprometrica cu rearmare automata incorporata pentru motoarele monofazate;
- protectia pentru motoarele trifazate este asigurata de catre utilizator.

Materialie:

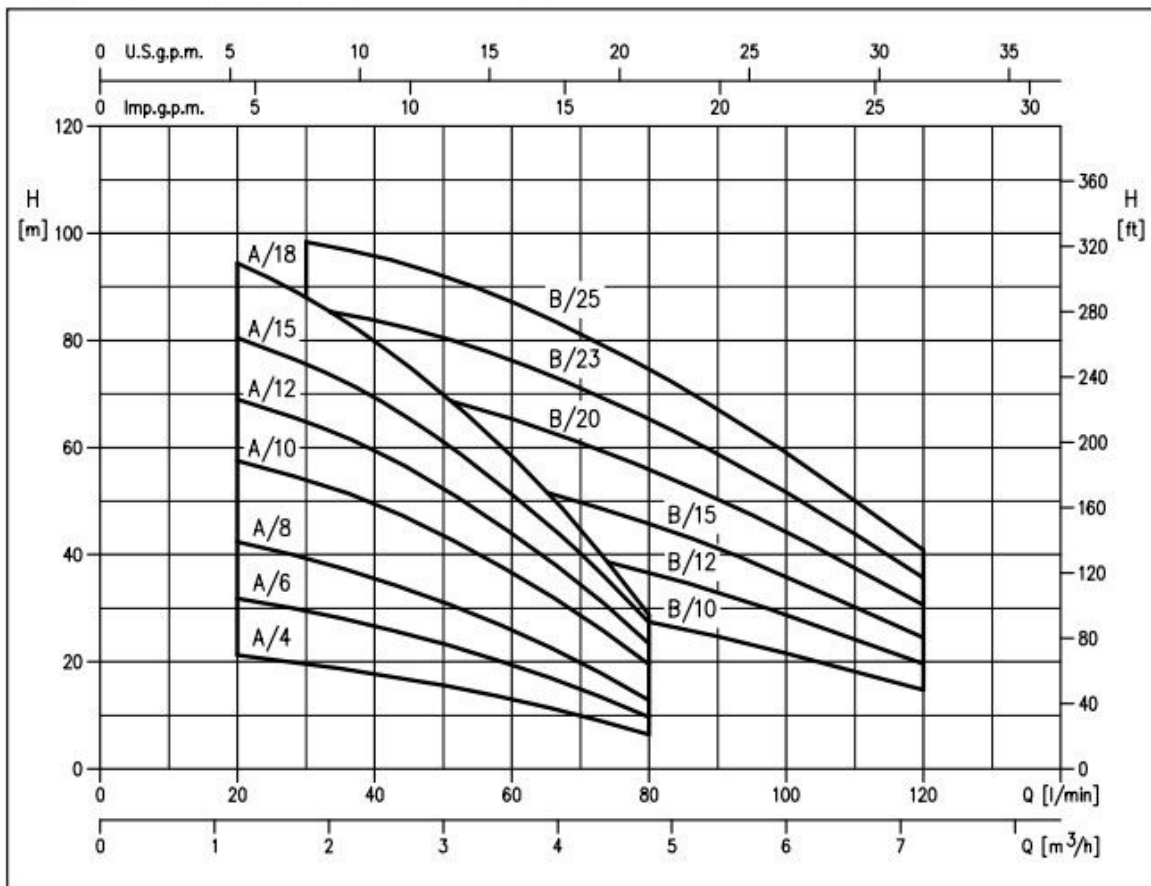
- carcasa pompei si gheara de fixare sunt din fonta cenusie;
- invelisul exterior este din AISI 304;
- rotor si difuzor din PPE+PS ranforsat cu fibra de sticla;
- ax din AISI 416;
- etansare mecanica din Ceramica/ Carbon/ NBR.

Accesorii (La cerere):

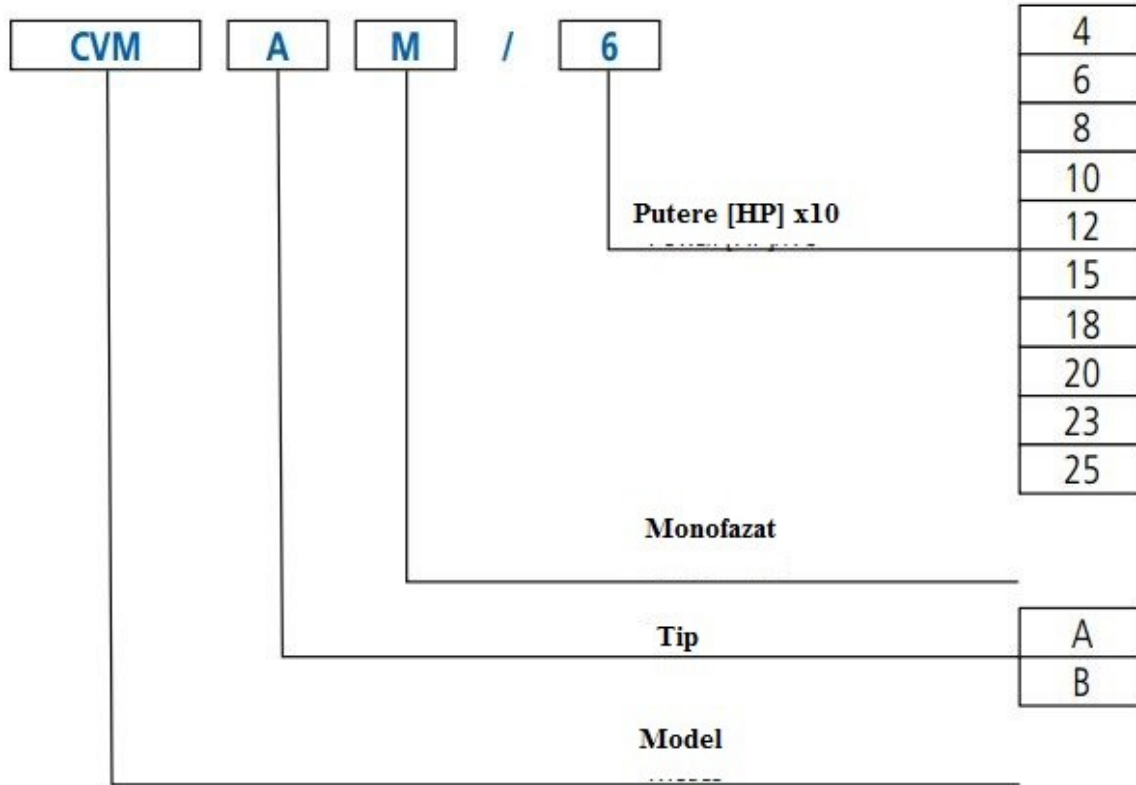
- panouri electrice;
- rezervoare;
- plutitori;
- switch-uri de presiune;
- regulator de presiune;
- sistem de control al turatiei variabile – E-power;
- convertizor de frecventa – E-drive.

CURBE DE PERFORMANTA

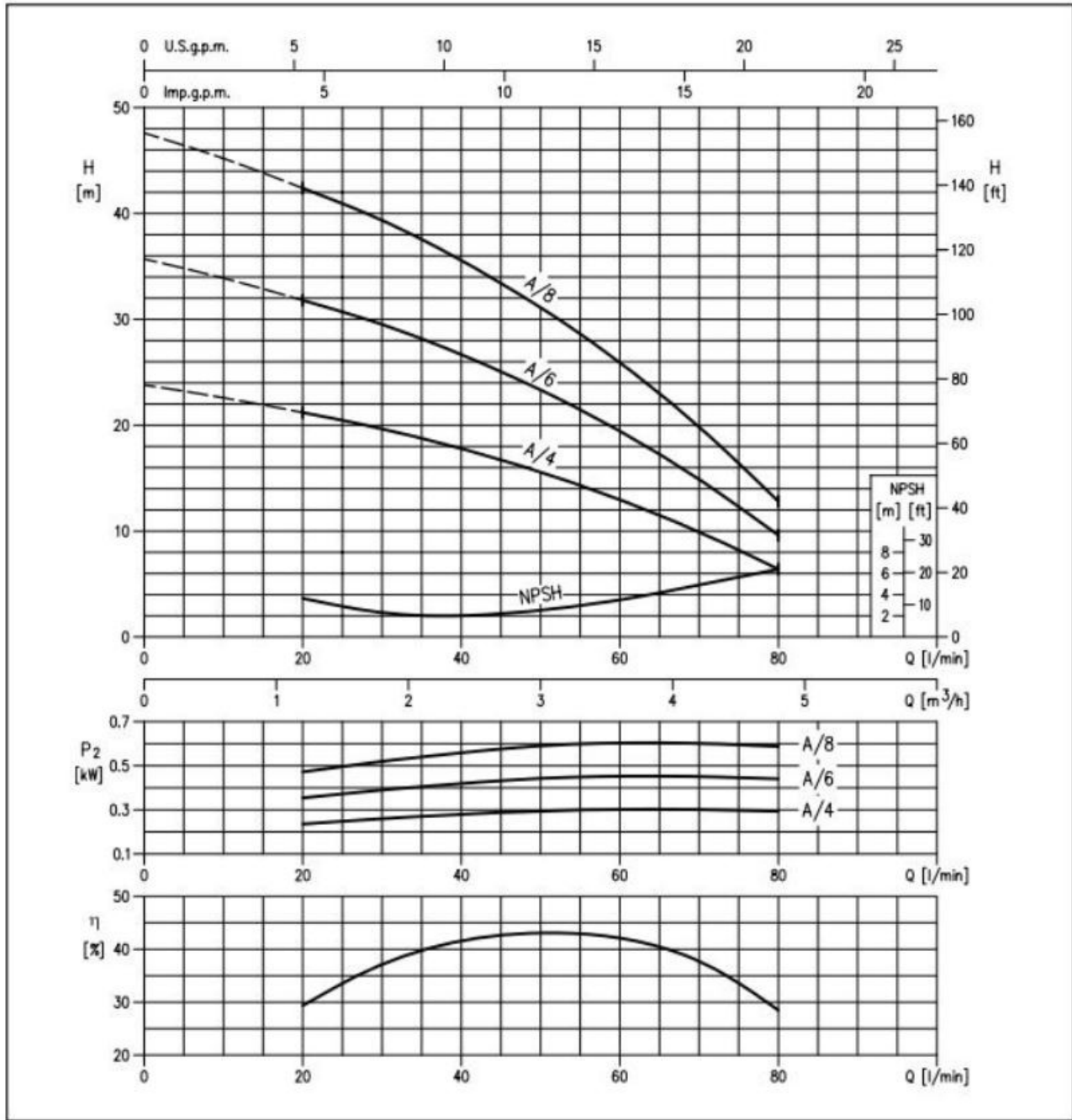
CURBE DE PERFORMANTA (in concordanta cu ISO 9906 Anexa A)



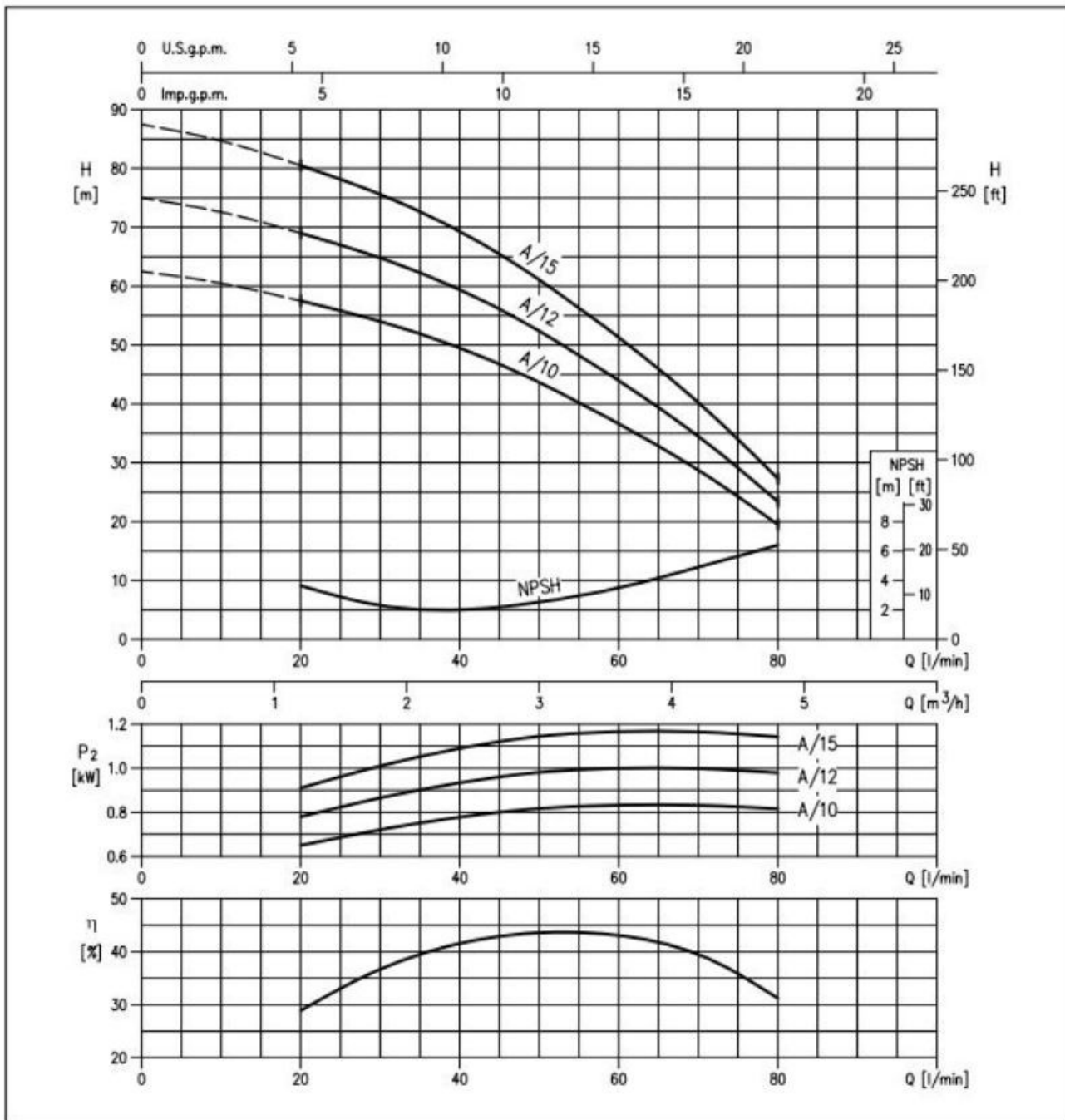
COD DE IDENTIFICARE



Curbe de performanta pentru gama CVM A (de la 0.3 la 0.6 kW)
(in concordanta cu ISO 9906 Anexa A)

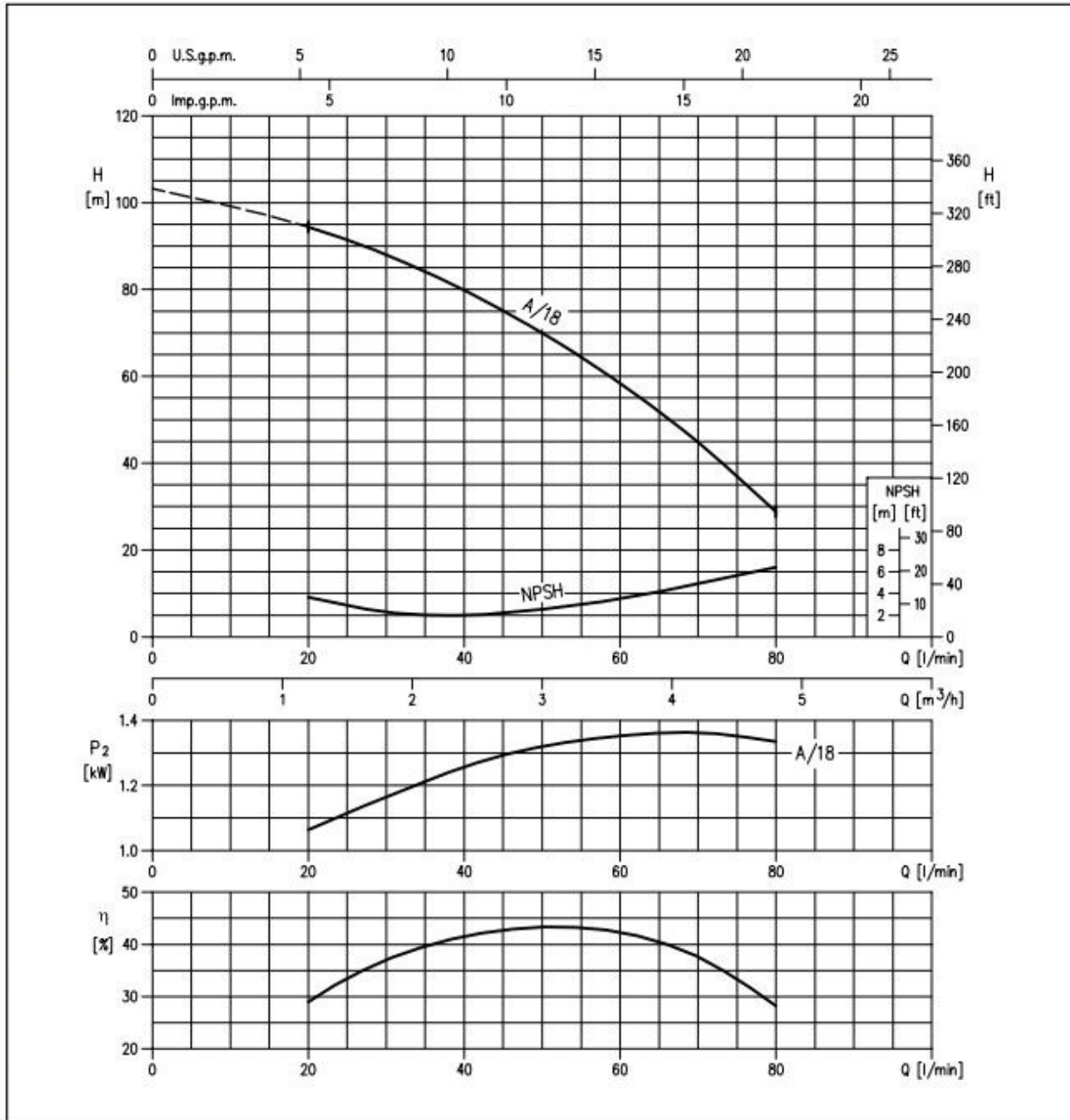


Curbe de performanta pentru gama CVM A (de la 0.75 la 1.1 kW)
(in concordanta cu ISO 9906 Anexa A)

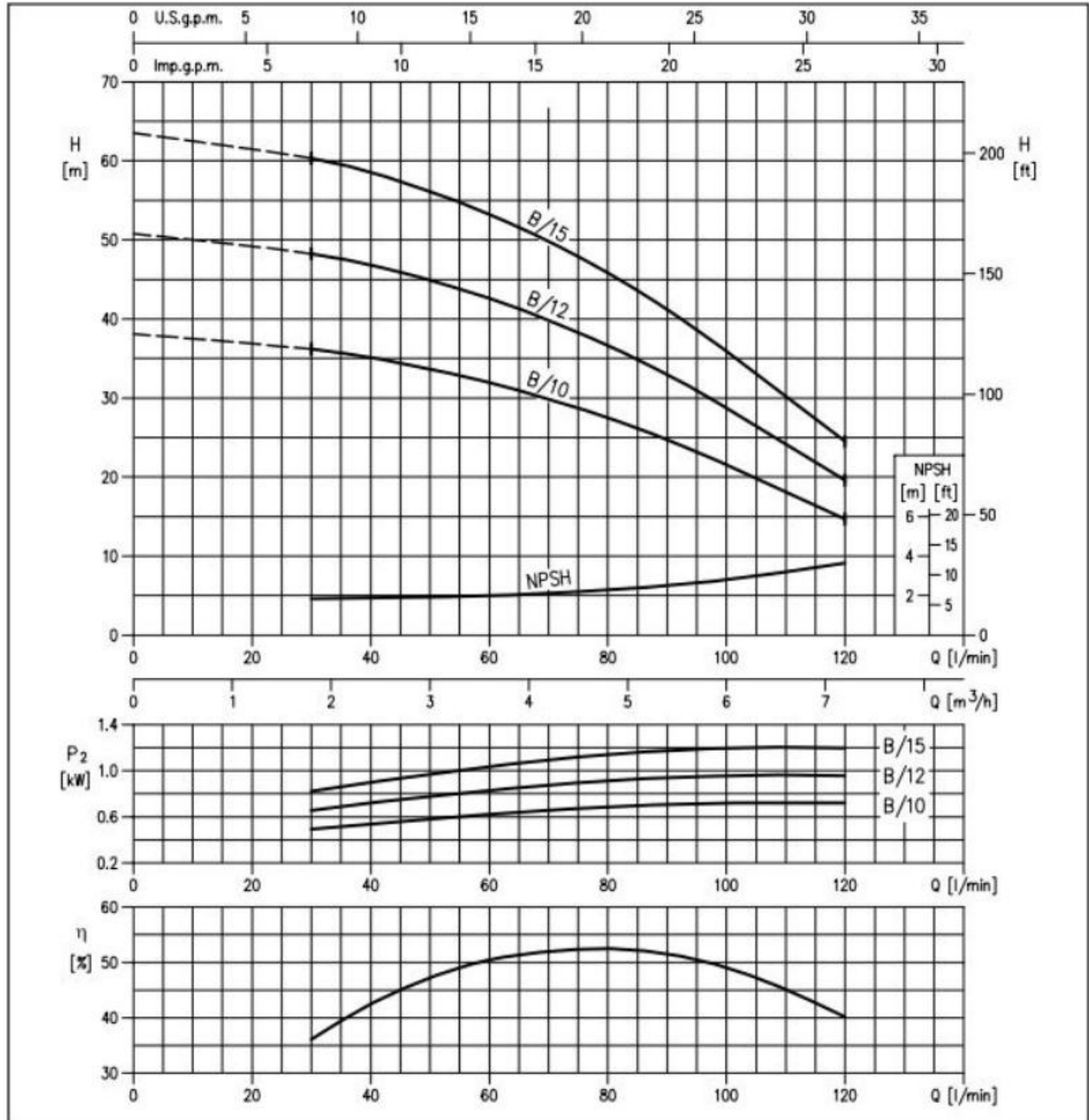


Curbe de performanta pentru gama CVM A (1.3 kW)

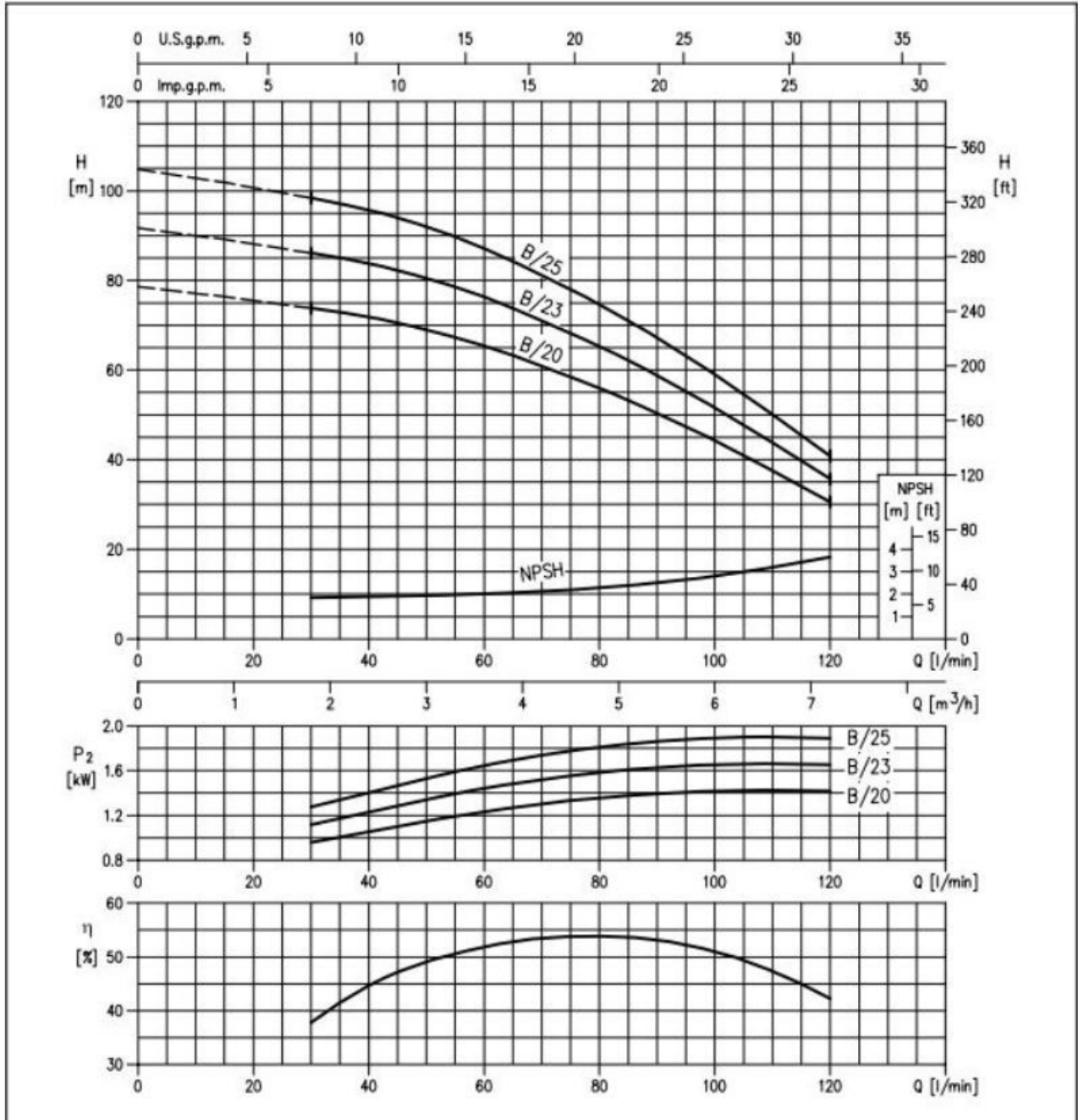
((in concordanta cu ISO 9906 Anexa A)



Curbe de performanta pentru gama CVM B (de la 0.75 la 1.1 kW)
(in concordanta cu ISO 9906 Anexa A)



Curbe de performanta pentru gama CVM B (de ka 1.5 la 1.85 kW)
(in concordanta cu ISO 9906 Anexa A)



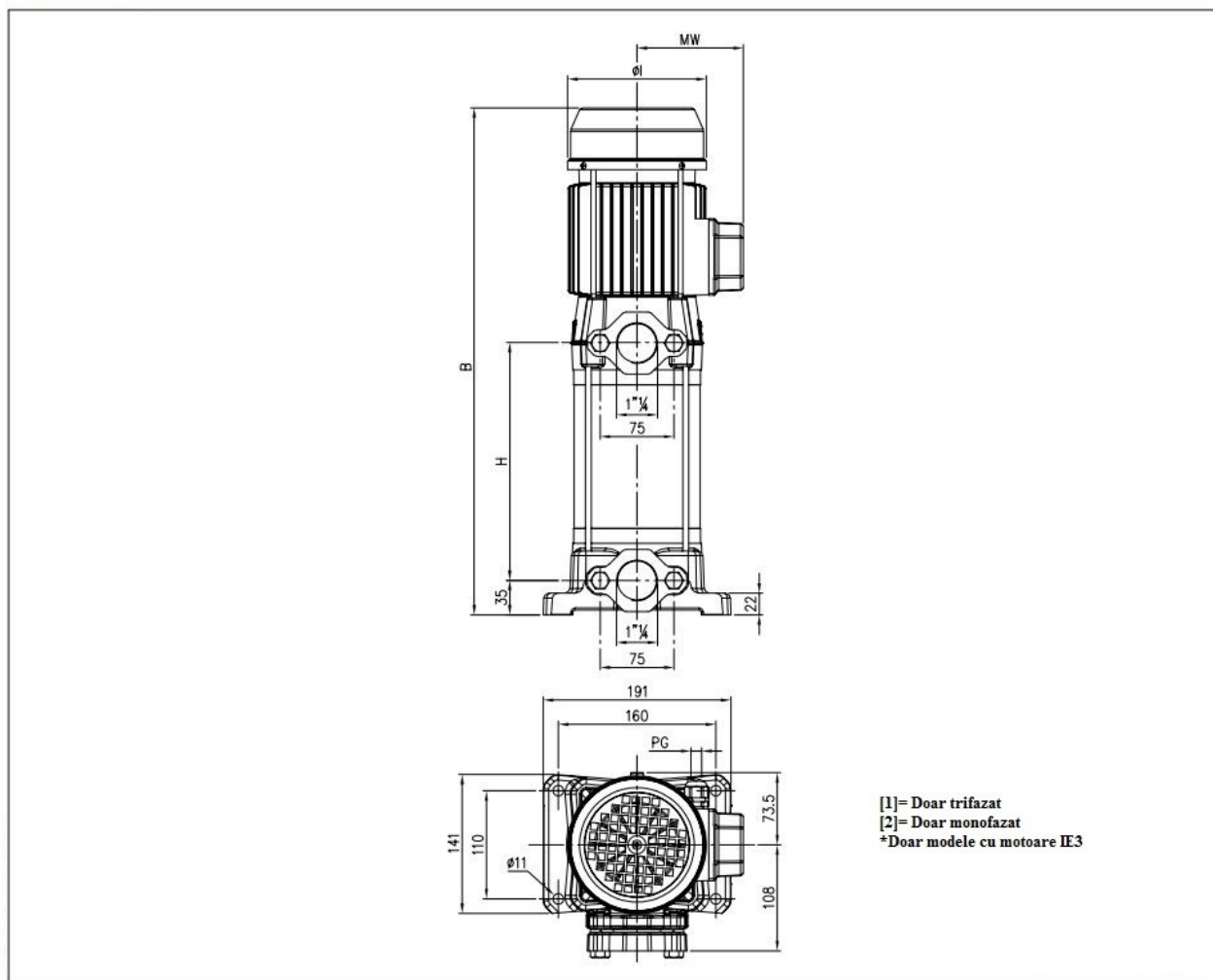
TABEL DE PERFORMANTE

TABEL DE PERFORMANTE

MODEL		P ₂		Q= Debit de curgere								
				[HP]		[kW]		H= inaltime de pompare [m]				
Monofazat 230 V	Trifazat 230/ 400 V			l/min	20	30	40	50	60	80	100	120
				m ³ /h	1.2	1.8	2.4	3	3.6	4.8	6	7.2
CVM AM/4	CVM A/4	0.4	0.3	21.2	19.7	17.8	15.6	13.0	6.4	-	-	-
CVM AM/6	CVM A/6	0.6	0.44	31.8	29.5	26.7	23.3	19.4	9.6	-	-	-
CVM AM/8	CVM A/8	0.8	0.6	42.5	39.4	35.6	31.1	25.9	12.8	-	-	-
CVM AM/10	CVM A/10	1	0.75	57.5	54.0	49.5	43.5	36.6	19.5	-	-	-
CVM AM/12	CVM A/12	1.2	0.9	69.0	65.0	59.5	52.5	44.0	23.4	-	-	-
CVM AM/15	CVM A/15	1.5	1.1	80.5	75.5	69.5	61.0	51.0	27.3	-	-	-
CVM AM/18	CVM A/18	1.8	1.3	94.5	88.0	80.0	70.0	58.5	28.8	-	-	-
CVM BM/10	CVM B/10	1	0.75	-	36.2	35.1	33.7	32.0	27.5	21.6	14.7	-
CVM BM/12	CVM B/12	1.2	0.9	-	48.0	46.8	45.0	42.6	36.6	28.8	19.6	-
CVM BM/15	CVM B/15	1.5	1.1	-	60.5	58.5	56.2	53.3	45.8	36.0	24.5	-
CVM BM/20	CVM B/20	2	1.5	-	74.0	72.0	69.0	65.5	56.0	44.5	30.6	-
CVM BM/23	CVM B/23	2.3	1.7	-	86.0	84.0	80.5	76.5	65.5	51.5	35.7	-
-	CVM B/25	2.5	1.85	-	98.5	96.0	92.0	87.0	74.5	59.0	41.0	-

DIMENSIUNI

DIMENSIUNI

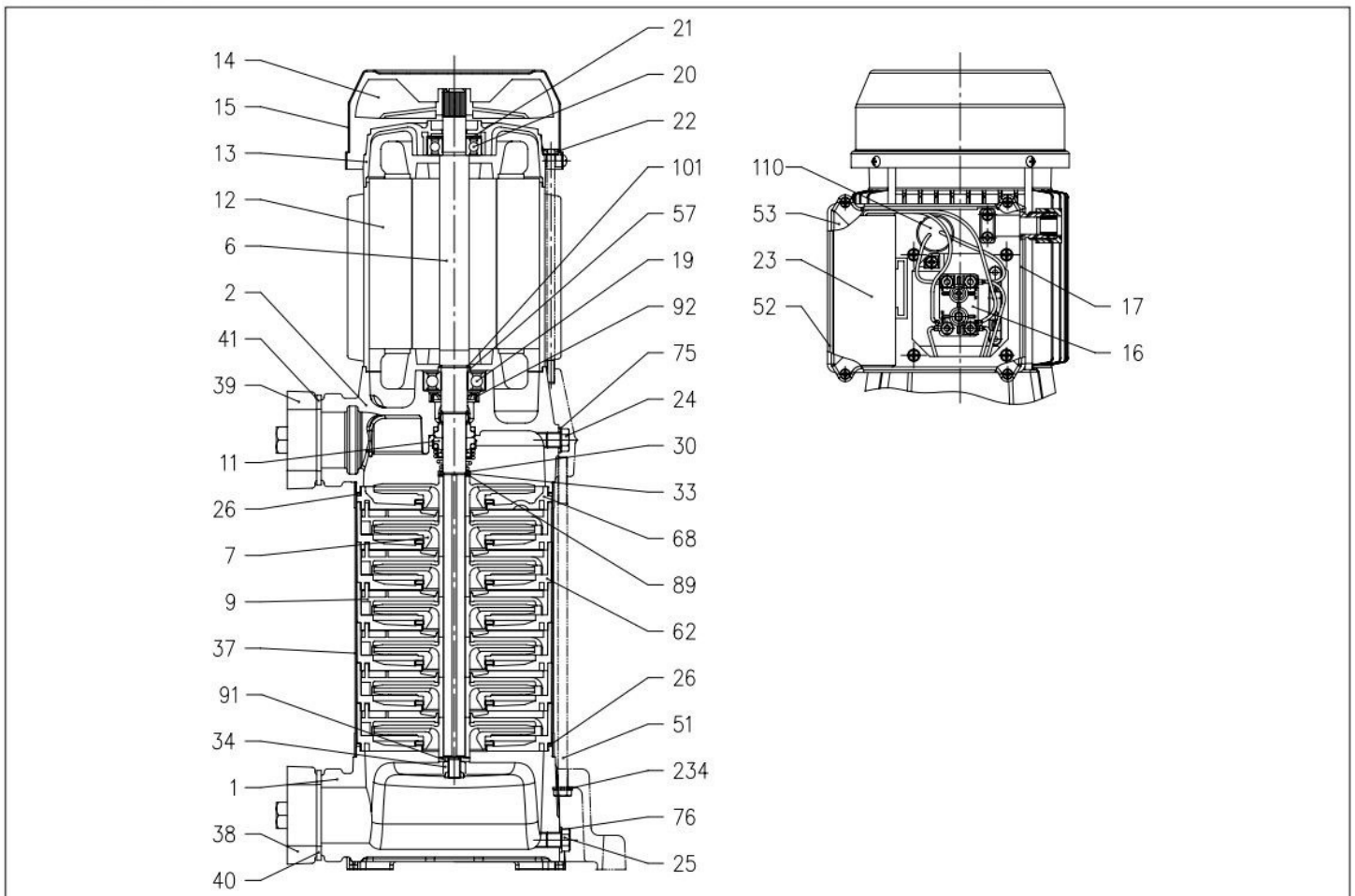


TABEL DIMENSIUNI

MODEL		Motor Mec	DIMENSIUNI										Greutate [kg]		
Monofazat 230 V	Trifazat 230/ 400 V		[2]	B [1]	*	H	Ø	MW [2]	[1]	M *	PG [2]	[1]	[2]	[1]	*
CVM AM/4	CVM A/4	63	336	336	-	112	124	101	91.5	-	11	11	11.0	11.0	-
CVM AM/6	CVM A/6	63	362	362	-	138	124	101	91.5	-	11	11	11.7	11.6	-
CVM AM/8	CVM A/8	63	388	388	-	164	124	101	91.5	-	11	11	12.7	12.6	-
CVM AM/10	CVM A/10	71	452	452	452	190	141	110.5	101	M16x1.5	11	11	16.5	16.6	16.6
CVM AM/12	CVM A/12	71	478	490	490	216	141	110.5	101	M16x1.5	11	11	17.5	18.4	18.4
CVM AM/15	CVM A/15	71	516	516	516	242	141	110.5	101	M16x1.5	11	11	18.5	18.6	18.6
CVM AM/18	CVM A/18	80	565	565	565	268	159	136	120.5	M20x1.5	13.5	11	21.2	21.8	22.7
CVM BM/10	CVM B/10	71	400	400	400	138	141	110.5	101	M16x1.5	11	11	15.9	15.9	15.9
CVM BM/12	CVM B/12	71	426	438	438	164	141	110.5	101	M16x1.5	11	11	16.8	17.5	17.5
CVM BM/15	CVM B/15	71	464	464	464	190	141	110.5	101	M16x1.5	11	11	18.0	17.9	17.9
CVM BM/20	CVM B/20	80	513	526	526	216	159	134.5	120.5	M20x1.5	13.5	11	21.3	22.8	23.7
CVM BM/23	CVM B/23	80	552	552	552	242	159	134.5	120.5	M20x1.5	13.5	11	22.6	23.4	24.3
-	CVM B/25	80	-	578	578	268	159	-	120.5	M20x1.5	-	11	-	23.7	24.6

VEDERE IN SECTIUNE

VEDERE IN SECTIUNE

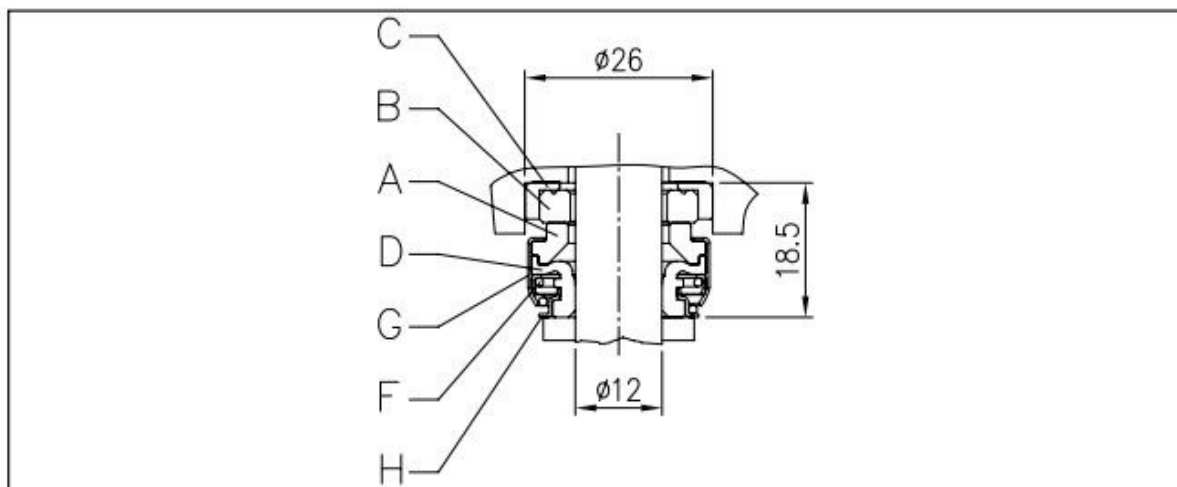


TABEL MATERIALE

Ref.	Nume	Material
1	Corpul pompei	Fonta cenusie NE-GJL-200-EN 1561
2	Suportul corpului pompei	Fonta cenusie NE-GJL-200-EN 1561
6	Ax	EN 1.4005 (AISI 416)
7	Rotor	PPE+PE ranforsat cu fibra de sticla
9	Difuzor	PPE+PE ranforsat cu fibra de sticla
11	Etansare mecanica	Ceramica/ Carbon/ NBR
12	Carcasa motorului	-
13	Invelis motor	Aluminiu
14	Ventilator	PA
15	Invelis ventilator	Fier P04 galvanizat
16	Cutie de borne	-
17	Invelis cutie de borne [1]	Aluminiu
19	Rulment (partea pompei)	-
20	Rulment (partea motorului)	-
21	Inel de ajustare	Otel C70
22	Bulon de ancorare motor	Fier 42 galvanizat
23	Condensator [2]	-
24	Capac de umplere	OT 58 UNI 5705
25	Buson de scurgere	OT 58 UNI 5705
26	O-Ring	NBR
30	Saiba	EN 1.4301 (AISI 304)
33	Inel Seeger	EN 1.4021 (AISI 420) (Dim. 12)
		EN 1.4301 (AISI 304) (Dim.14)
34	Piulita rotor	EN 1.4301 (AISI 304)
37	Carcasa	EN 1.4301 (AISI 304)
38	Contra-flansa	Fonta cenusie NE-GJL-200-EN 1561
39	Contra-flansa	Fonta cenusie NE-GJL-200-EN 1561
40	Garnitura contra-flansa	NBR
41	Garnitura contra-flansa	NBR
51	Bulon de fixare pompa	Fier P04 galvanizat
52	Carcasa cutiei de borne [2]	ABS
53	Invelisul carcasei cutiei de borne [2]	ABS

57	Despartitor	Otel C40
62	Cutie etaj	PPE+PE ranforsat cu fibra de sticla/PTFE
68	Etaj	PPE+PE ranforsat cu fibra de sticla/PTFE
75	Saiba	Aluminiu
76	Saiba	Aluminiu
89	Saiba	EN 1.4301 (AISI 304)
91	Saiba	EN 1.4301 (AISI 304)
92	Inel de etansare	NBR
101	Inel Seeger [3]	EN 1.4301 (AISI 304)
110	Protectie motor	-
234	Saiba	Otel galvanizat

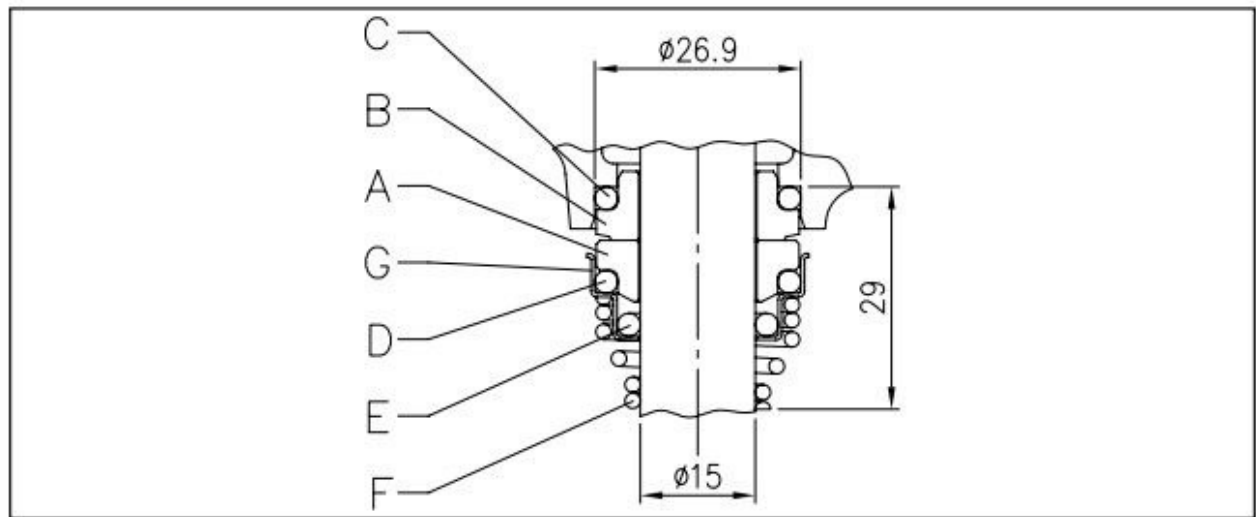
ETANSARE MECANICA pentru CVM cu puteri de pana la 0.6 kW



TABEL MATERIALE

Ref.	Nume	Material
A	Piesa rotativa	Carbon
B	Piesa fixa	Ceramica
C	Garnitura	NBR
D	Diafragma	NBR
F	Arc	AISI 304
G	Structura/ Cadru	AISI 304
H	Inel de retinere	AISI 304

ETANSARE MECANICA pentru CVM cu puteri de la 0.75 kW si peste



TABEL MATERIALE

Ref.	Nume	Material
A	Piesa rotativa	Ceramica
B	Piesa fixa	Carbon
C	O-Ring	NBR
D	O-Ring	NBR
E	O-Ring	NBR
F	Arc	AISI 316
G	Cadru/ structura	AISI 304

TABEL DATE ELECTRICE

Model		P ₂		Eficienta		Condensator Monofazat		Eficienta (%) Trifazat			P ₁		Curent absorbit [A]		
Monofazat 230V	Trifazat 230/400V	[HP]	[kW]	Monofazat	Trifazat	μF	V _c	50%	η % 75%	100%	Monofazat [kW]	Trifazat [kW]	Monofazat 230V	Trifazat 230V	Trifazat 400V
CVM AM/4	CVM A/4	0.4	0.3	-	-	10	450	-	-	-	0.54	0.49	2.6	1.9	1.1
CVM AM/6	CVM A/6	0.6	0.44	-	-	12.5	450	-	-	-	0.69	0.69	3.2	2.3	1.3
CVM AM/8	CVM A/8	0.8	0.6	-	-	14	450	-	-	-	0.89	0.83	4.0	2.8	1.6
CVM AM/10	CVM A/10	1	0.75	-	IE2	20	450	77.2	80.9	81.3	1.27	0.92	6.0	2.9	1.7
-		1	0.75	-	IE3	-	-	80.9	82.3	82.1	-	0.91	-	3.0	1.7
CVM AM/12	CVM A/12	1.2	0.9	-	IE2	31.5	450	79.0	81.7	81.6	1.45	1.35	6.5	4.3	2.5
-		1.2	0.9	-	IE3	-	-	81.7	83.1	82.4	-	1.34	-	4.3	2.5
CVM AM/15	CVM A/15	1.5	1.1	-	IE2	31.5	450	79.0	81.7	81.6	1.60	1.35	7.2	4.3	2.5
-		1.5	1.1	-	IE3	-	-	81.7	83.1	82.4	-	1.34	-	4.3	2.5
CVM AM/18	CVM A/18	1.8	1.3	-	IE2	35	450	79.7	82.5	83.0	1.76	1.80	7.8	5.6	3.2
-		1.8	1.3	-	IE3	-	-	83.0	85.8	85.6	-	1.77	-	5.8	3.3
CVM BM/10	CVM B/10	1	0.75	-	IE2	20	450	77.2	80.9	81.3	1.14	0.92	5.6	2.9	1.7
-		1	0.75	-	IE3	-	-	80.9	82.3	82.1	-	0.91	-	3.0	1.7
CVM BM/12	CVM B/12	1.2	0.9	-	IE2	31.5	450	79.0	81.7	81.6	1.38	1.35	6.2	4.3	2.5
-		1.2	0.9	-	IE3	-	-	81.7	83.1	82.4	-	1.34	-	4.3	2.5
CVM BM/15	CVM B/15	1.5	1.1	-	IE2	31.5	450	79.0	81.7	81.6	1.63	1.35	7.4	4.3	2.5
-		1.5	1.1	-	IE3	-	-	81.7	83.1	82.4	-	1.34	-	4.3	2.5
CVM BM/20	CVM B/20	2	1.5	-	IE2	40	450	78.6	83.0	84.2	1.91	1.78	8.3	6.3	3.7
-		2	1.5	-	IE3	-	-	82.7	86.1	87.0	-	1.72	-	6.6	3.8
CVM BM/23	CVM B/23	2.3	1.7	-	IE2	40	450	80.3	83.4	83.8	2.14	2.09	9.6	6.9	4.0
-		2.3	1.7	-	IE3	-	-	84.2	86.8	86.9	-	2.01	-	7.1	4.1
-	CVM B/25	2.5	1.85	-	IE2	-	-	83.0	84.4	83.8	-	2.63	-	8.1	4.7
-		2.5	1.85	-	IE3	-	-	86.2	87.0	86.0	-	2.55	-	8.2	4.7